

BIKE RACK

Designer: SPARK



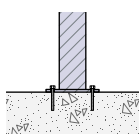
FRAME OPTIONS

- 316 Stainless steel

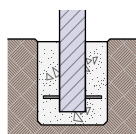
FRAME FINISHES

- #4 Brushed

INSTALLATION



Bolt Down



In Ground

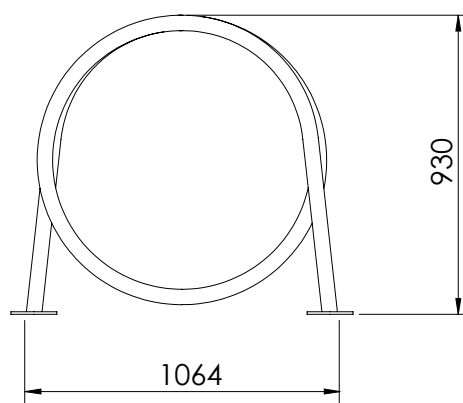
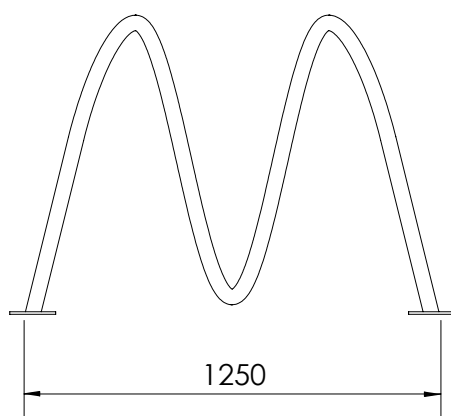
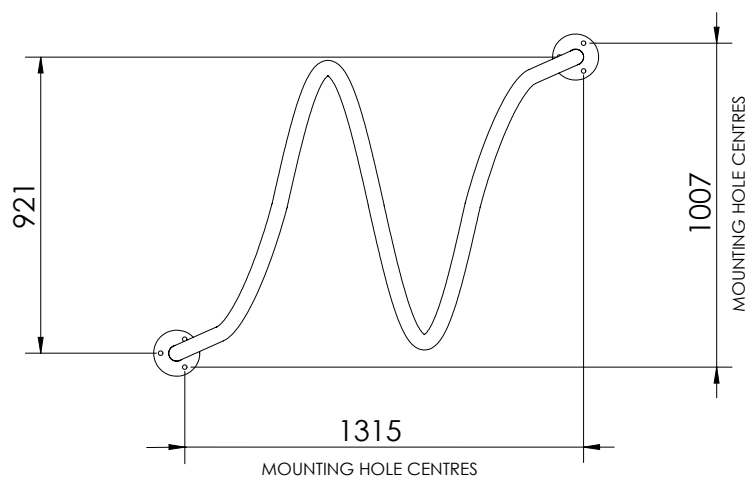
FIXINGS

- 12mm fixings for 14mm diameter holes

Alternative materials and finishes available on request

SENATE BIKE RACK

SPECIFICATIONS



Measurements are in millimetres. Drawings are not to scale.

PRODUCT CODE

SEN008-216-N4

FRAME OPTIONS

316 Galvanised steel

FINISH OPTIONS

#4 Brushed